

EASY REC

SCRAP RECOVERY STANDARD GROUP



rev. 001080.2411.32

■ Easy Rec

- Unit for the correct recovery of the fresh pasta scraps produced at the beginning of production, during shape changeover operations, filled pasta off-cuts, etc.
- Tank capacity: 30 litres
- Indicative operating capacity: 50-150 kg/h approximately

EASY REC

Unit for the correct recovery of the fresh pasta scraps produced at the beginning of production, during shape changeover operations, filled pasta off-cuts, etc. Allows the user to obtain pasta scraps which can easily be re-kneaded with excellent results.

Main technical features:

- Tank capacity: 30 litres
- Indicative operating capacity: 50-150 Kg/h approximately
- It is suitable for small/medium lumps
- Inexpensive: the best quality/price ratio



Easy rec



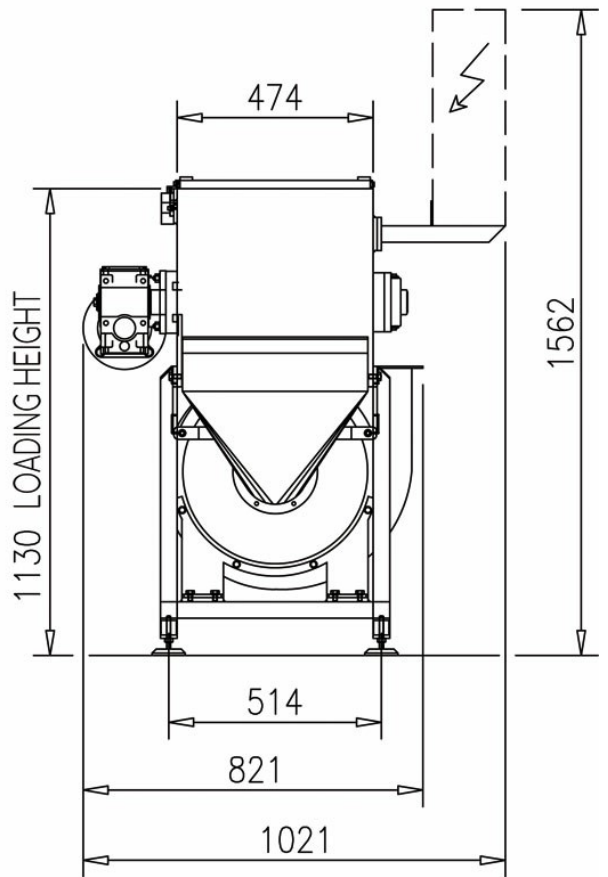
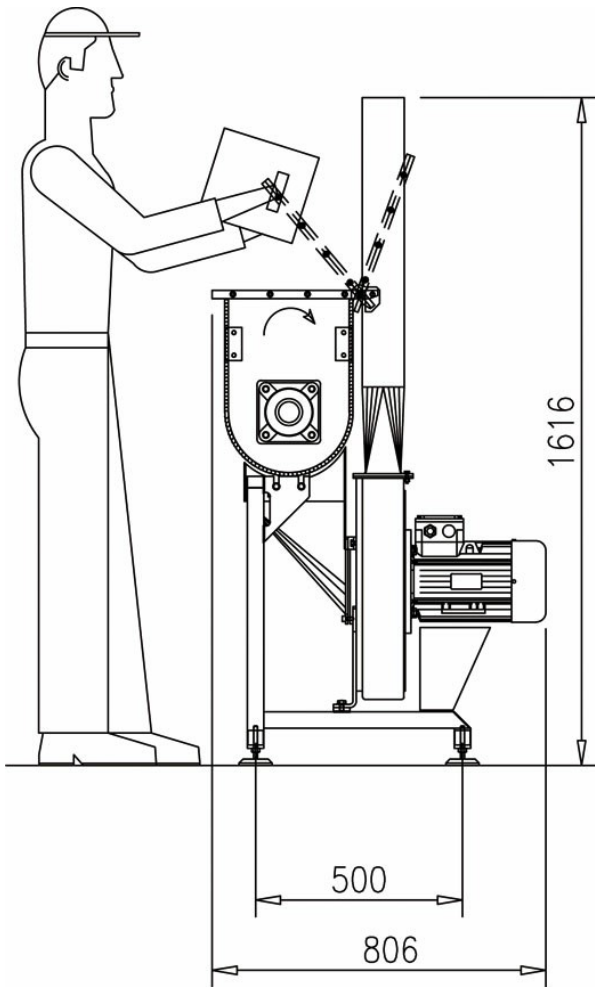
Uniformly ground product



■ Easy Rec



■ Uniformly ground product



MODEL	POWER (kW)	PIPING LENGHT (m)	MAXIMUM SHREDDING CAPACITY (kg/h)	DIMENSIONS (LxPxH)
EASY REC 150	4.5*	15	50-150	1021X806X1616

*(3kW each fan-shredder)

NotaBene: data shown are not binding, just indicative as subject to variability of the products and plants where the groups will be installed.



facebook.com/storci.spa



youtube.com/@FAVAspAPastaEquipment



linkedin.com/company/fava-s.p.a.

Fava S.p.A.
Via IV Novembre, 29 - 44042 Cento (FE)
phone: +39 051 6843411
www.favastorci.com - info@fava.it

FAVA
pasta equipment **Storci**