

# BAKMIX

AUTOMATIC CONTINUOUS DOUBLE SCREW DOUGH MIXER



rev. 006.2411.75

■ Bakmix

- Dual-screw continuous dough kneading machine for sheet pasta, regional pasta, pizza, bread and gnocchi
- Variable dough kneading system thanks to two dough mixing screws
- Production output: 100 - 2,000 kg/h
- Correct hydration irrespective of particle size along with precise and repeatable dosing
- PLC controlled recipe management

Automatic continuous stainless steel made complete of dry and liquid ingredients dosing device systems. It allows you to produce a continuous consistent dough with minimal operator intervention. Specifically designed for: bakery (pizza, bread, breadstick, dry toast, ecc.), fresh and dry pasta, gnocchi.

## Main technical features:

- Raw material premixer system Premix® complete of volumetric dosing device for flours and electronic dosing device for liquid ingredients
- Stainless steel double screws system to obtain the best uniformity of the dough
- Touch screen panel PLC to guarantee the complete management of dosing and recipes

## Advantages:

- Elimination of standard mixing batch systems
- Small Foot Print
- Constant dough quality over time
- Large capacity production range
- Low energy consumption.
- Suitable for many layout for automatic lines

## Optional:

- Gravimetric dosing device for flour and special dry ingredients
- Fixed or portable mounted trolley models
- Customized double screw system layout for a wide range of dough



Gnocchi



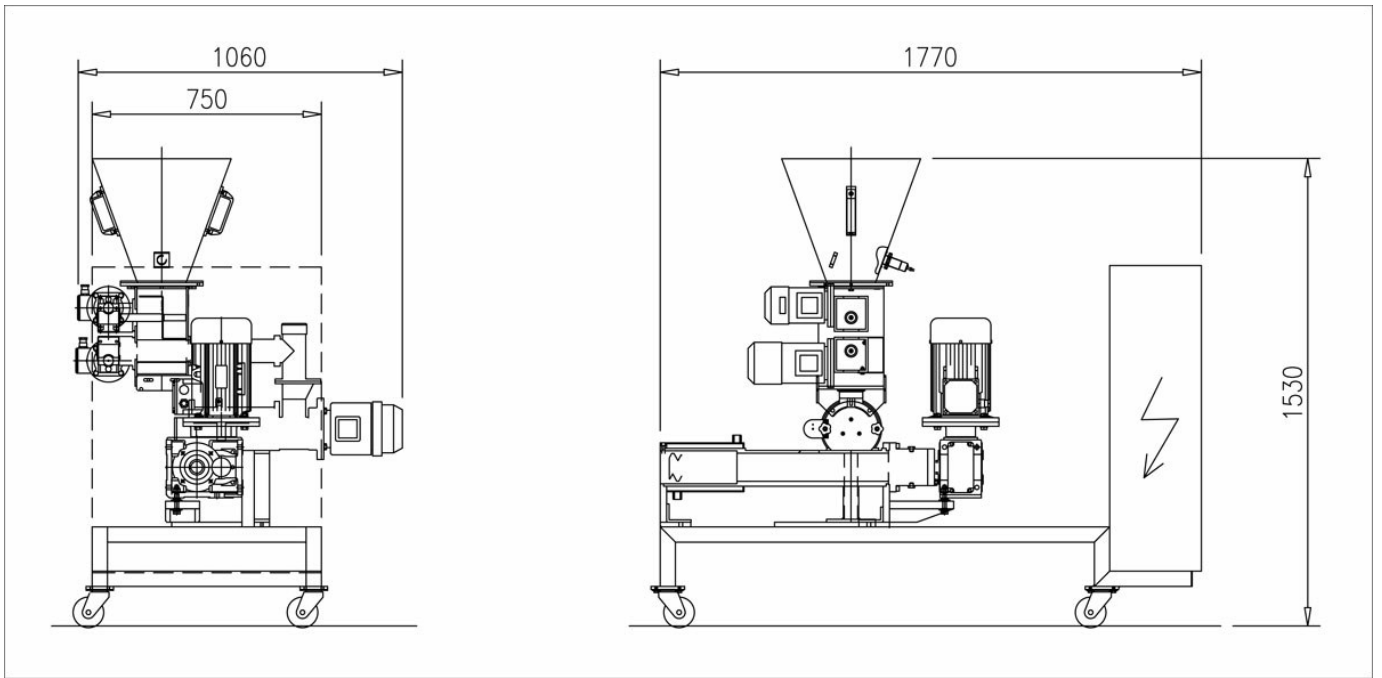
Pizza



Fresh pasta



Filled pasta





[facebook.com/storci.spa](https://facebook.com/storci.spa)



[youtube.com/@FAVAspAPastaEquipment](https://youtube.com/@FAVAspAPastaEquipment)



[linkedin.com/company/fava-s.p.a.](https://linkedin.com/company/fava-s.p.a.)

Fava S.p.A.  
Via IV Novembre, 29 - 44042 Cento (FE)  
phone: +39 051 6843411  
[www.favastorci.com](http://www.favastorci.com) - [info@fava.it](mailto:info@fava.it)

**FAVA**  
pasta equipment **Storci**